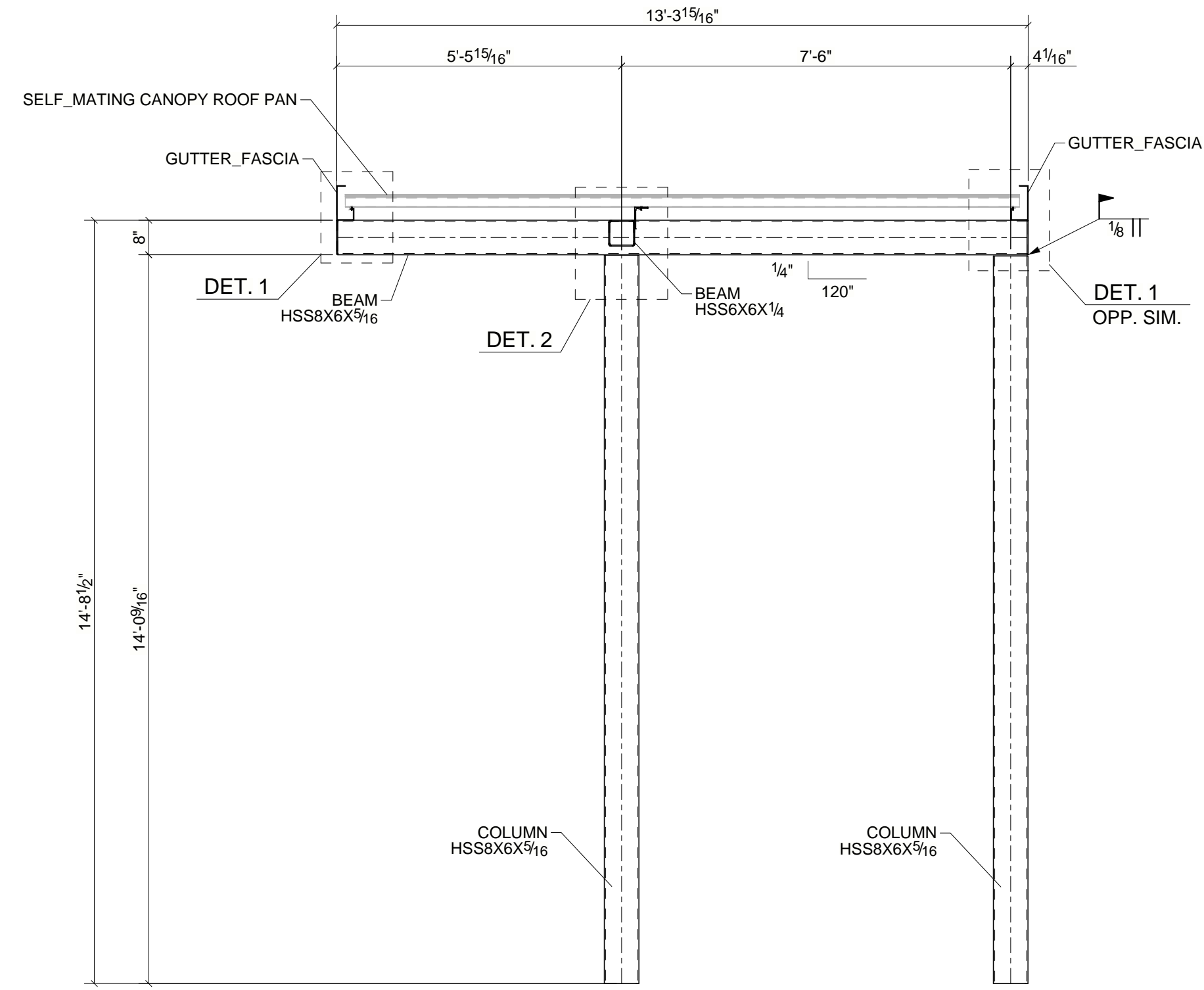
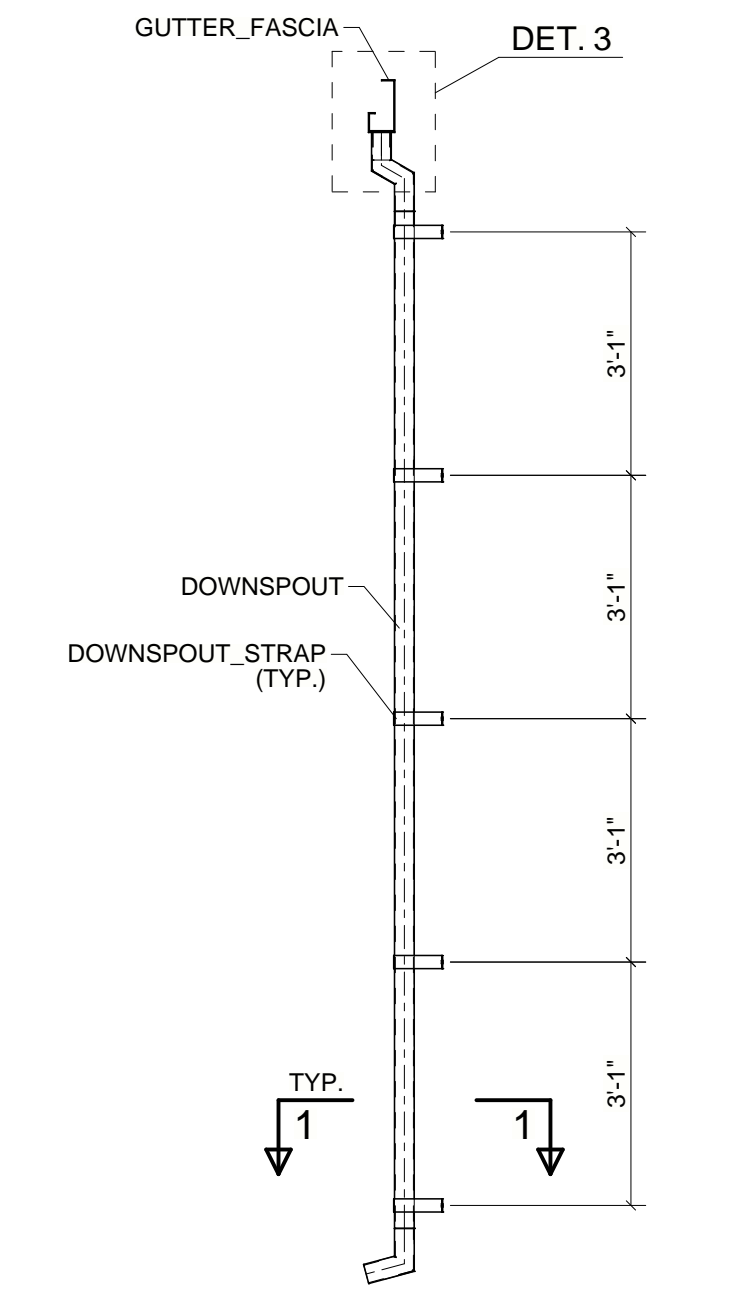


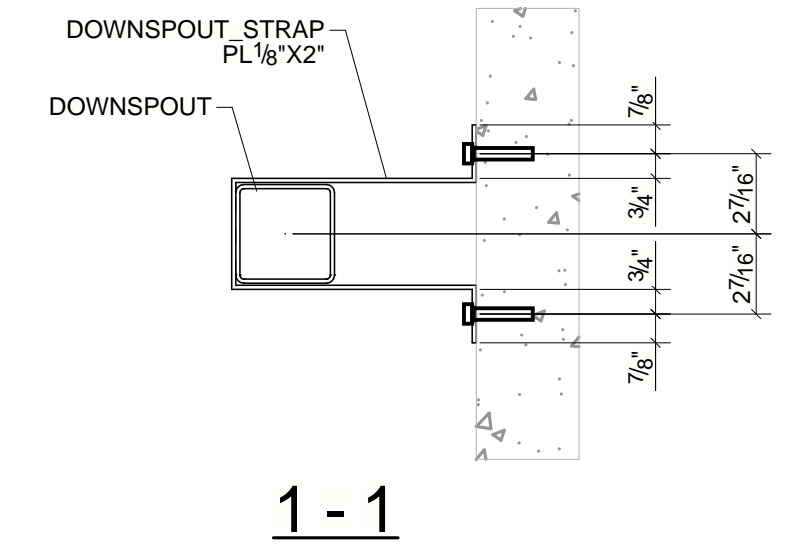
WALKWAY ISOMETRIC VIEW



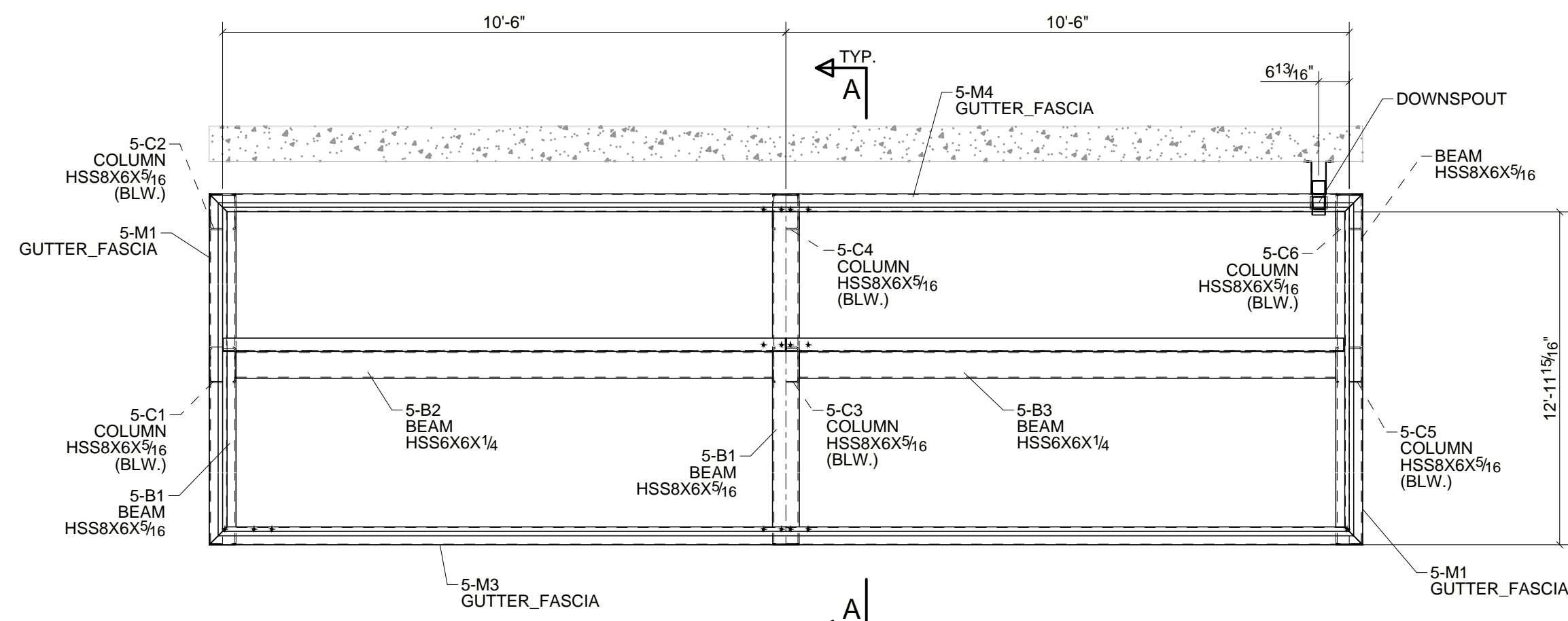
A-A



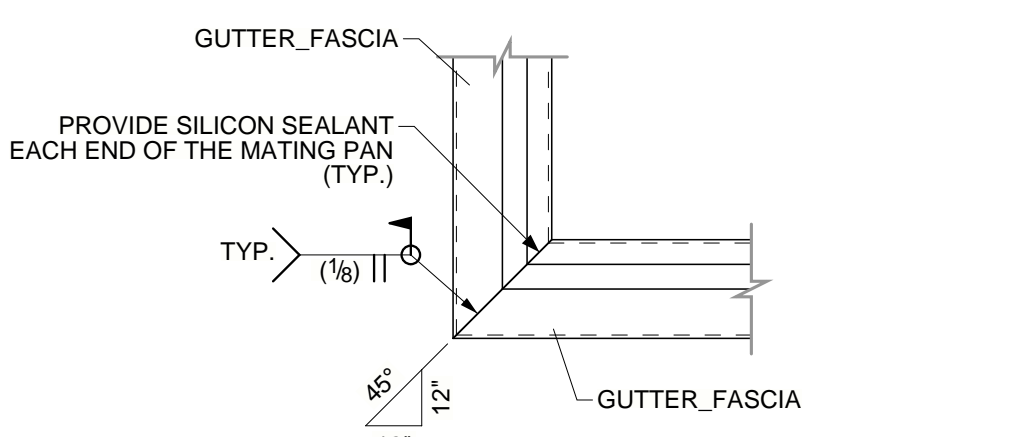
DOWNSPOUT DETAIL



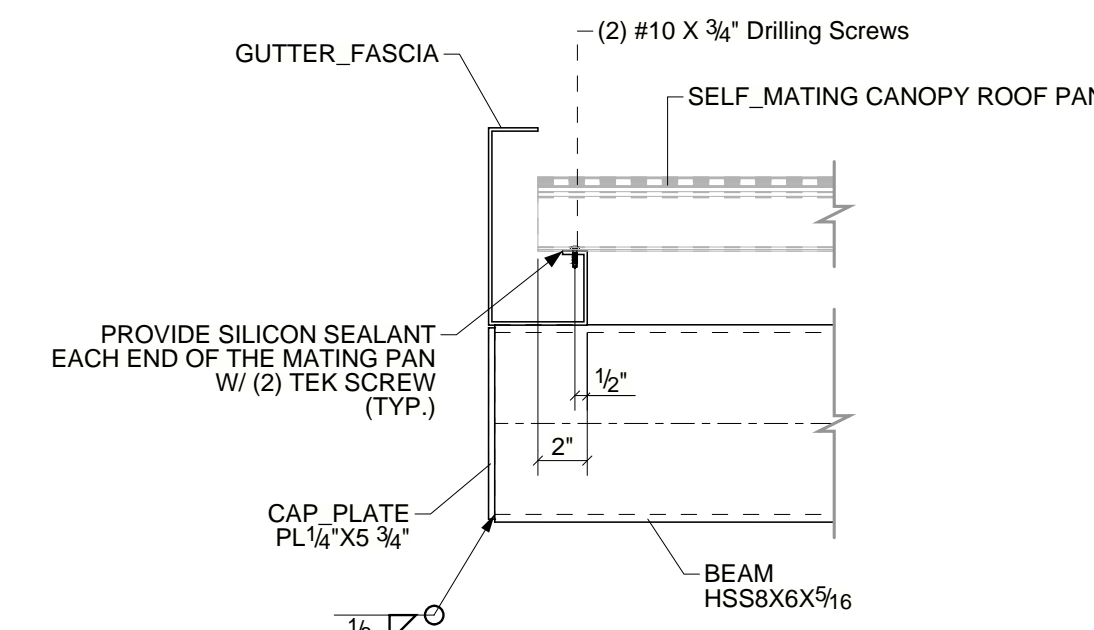
1-1



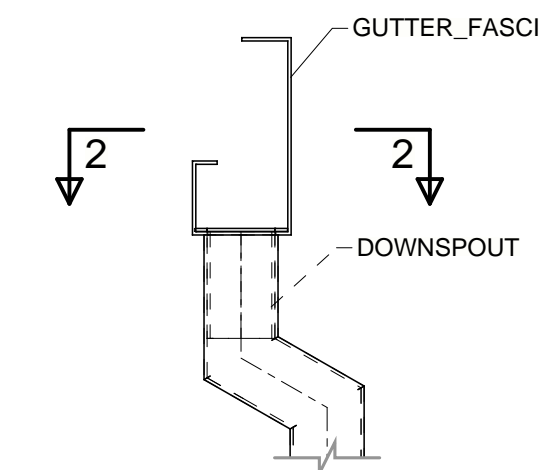
WALKWAY STRUCTURAL FRAMING PLAN



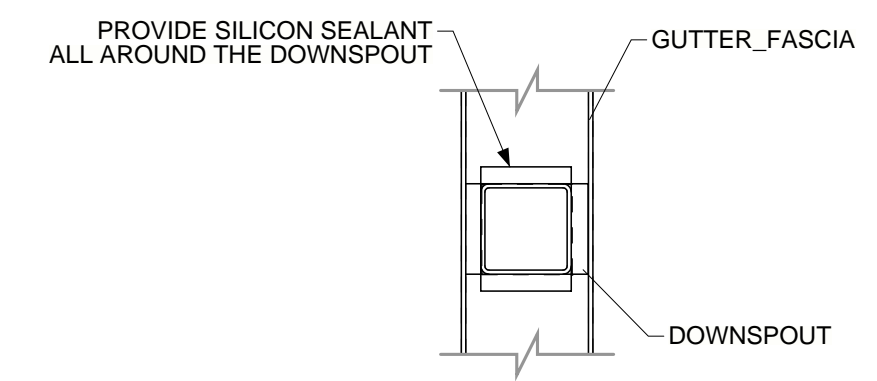
TYP. GUTTER CORNER CONN.



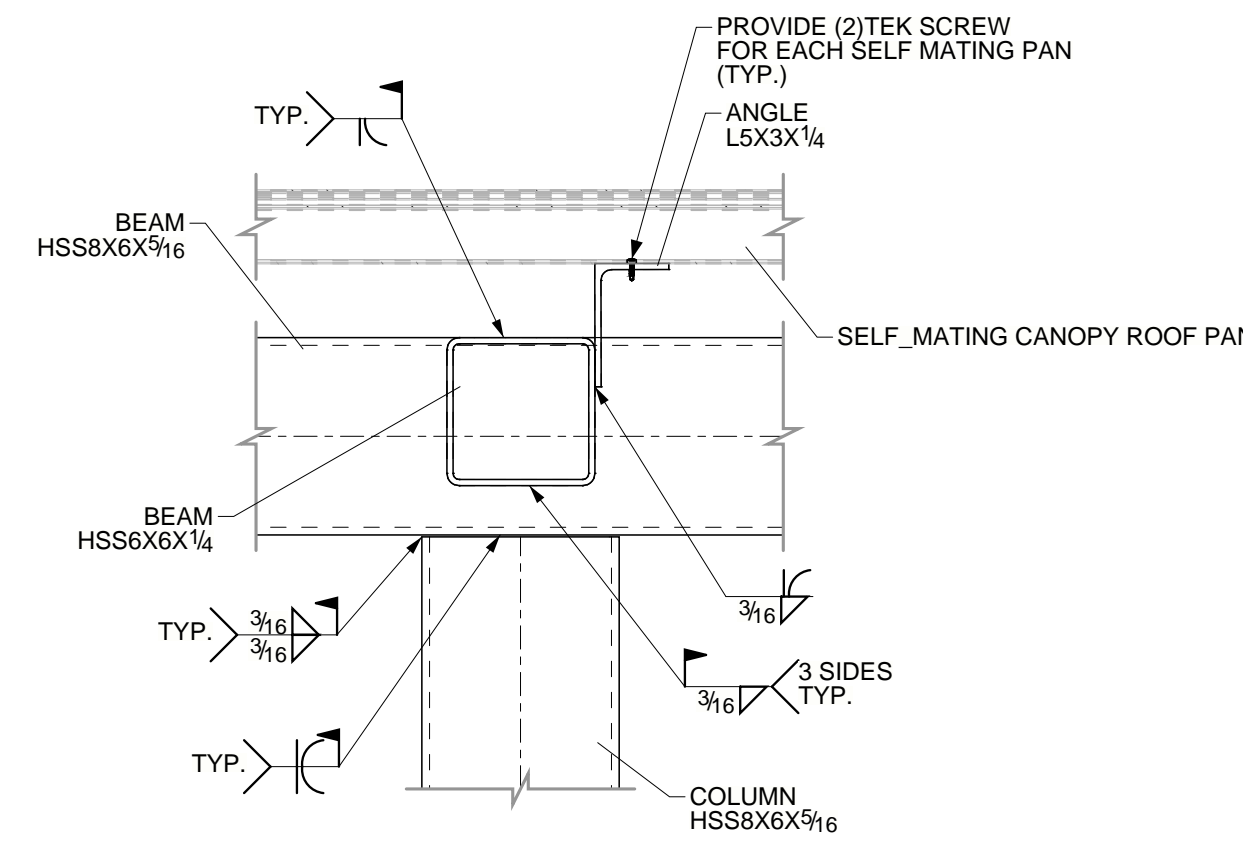
DETAIL 1



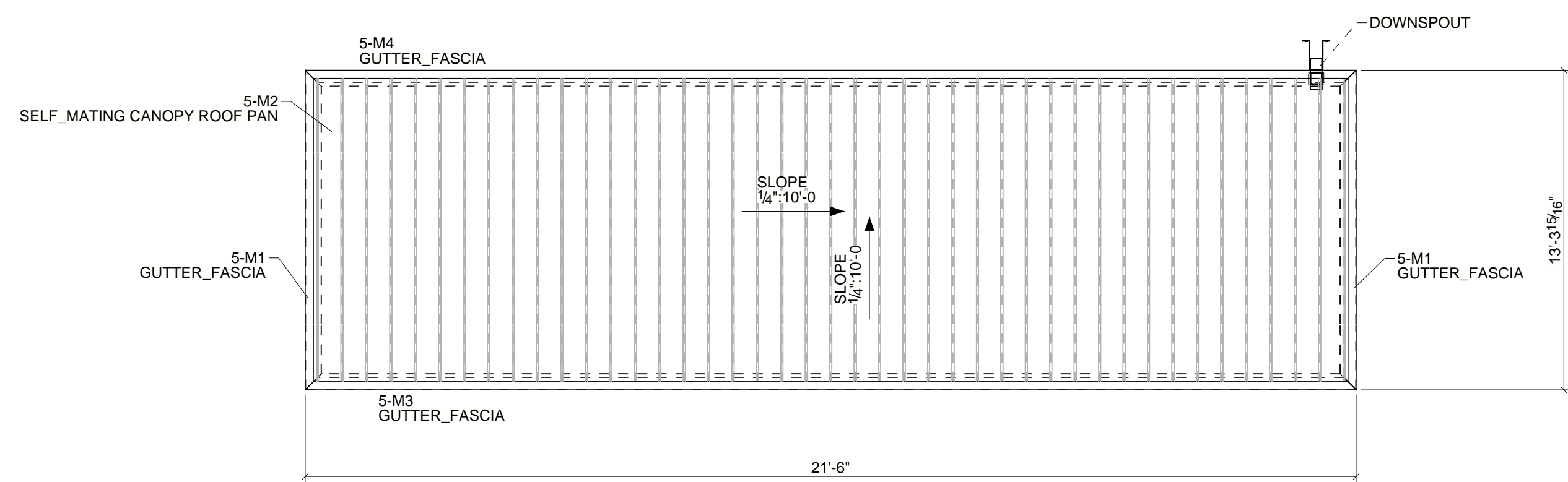
DETAIL 3



2-2



DETAIL 2



WALKWAY ROOF FRAMING PLAN