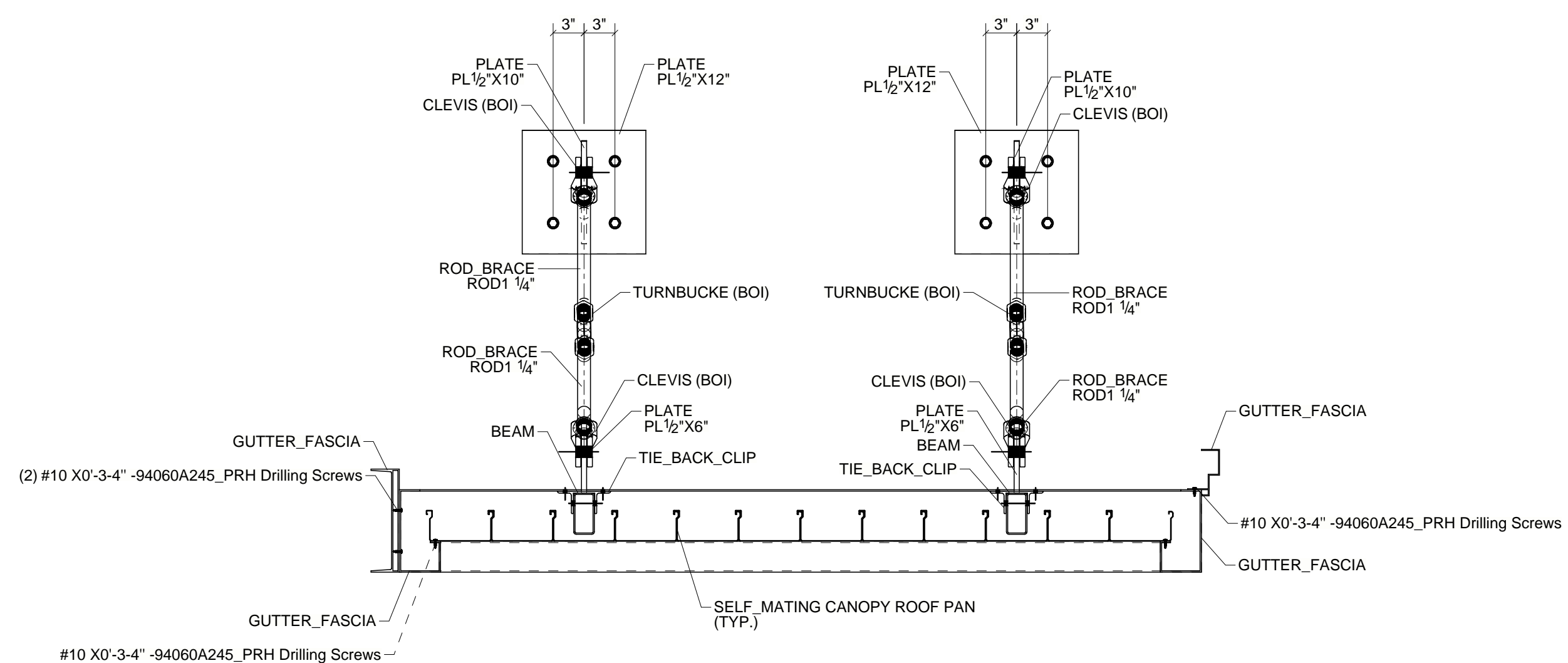
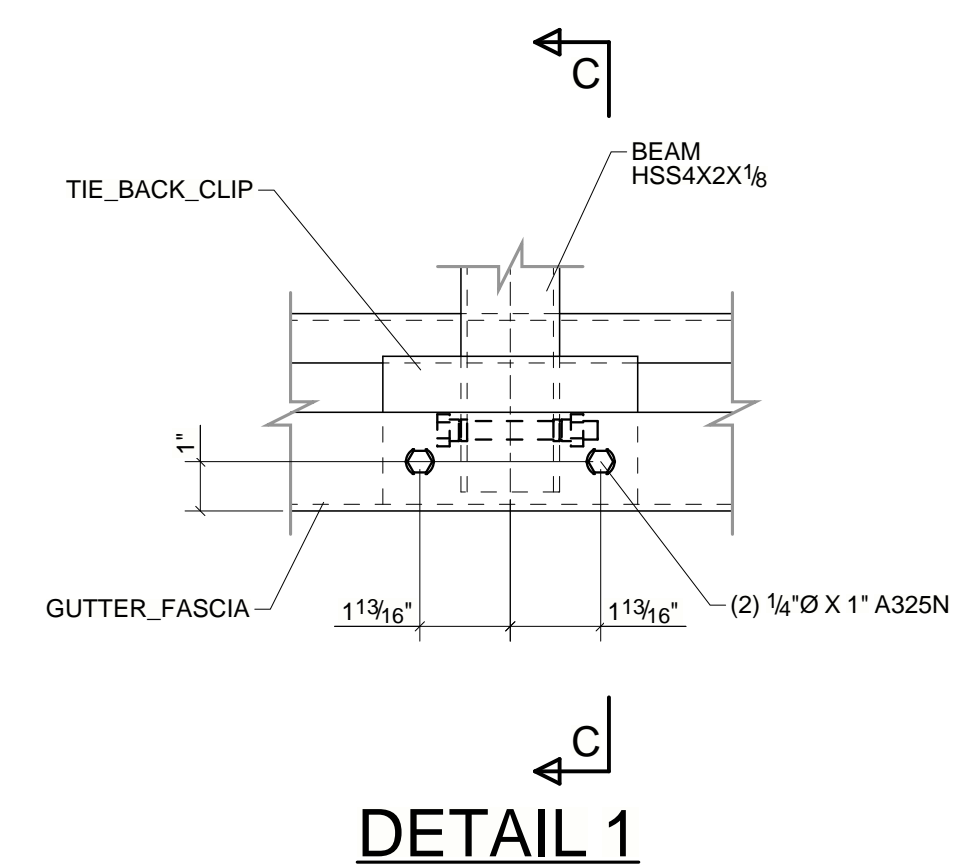


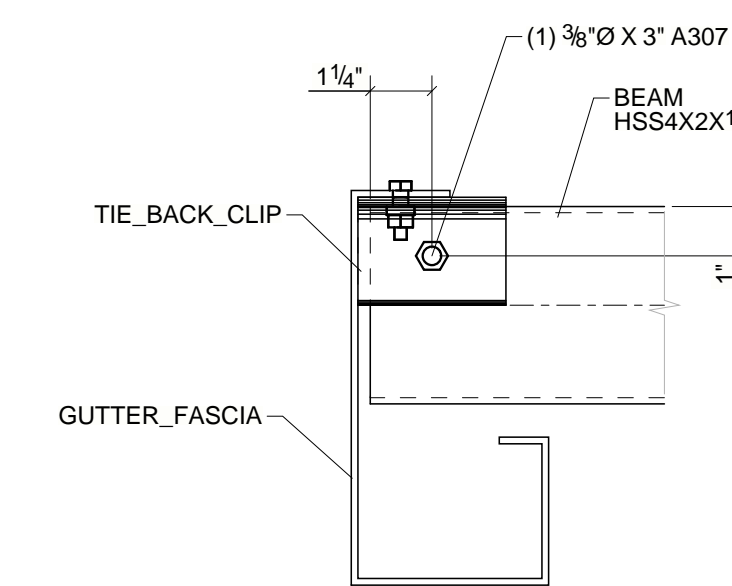
**CANOPY ISOMETRIC VIEW**



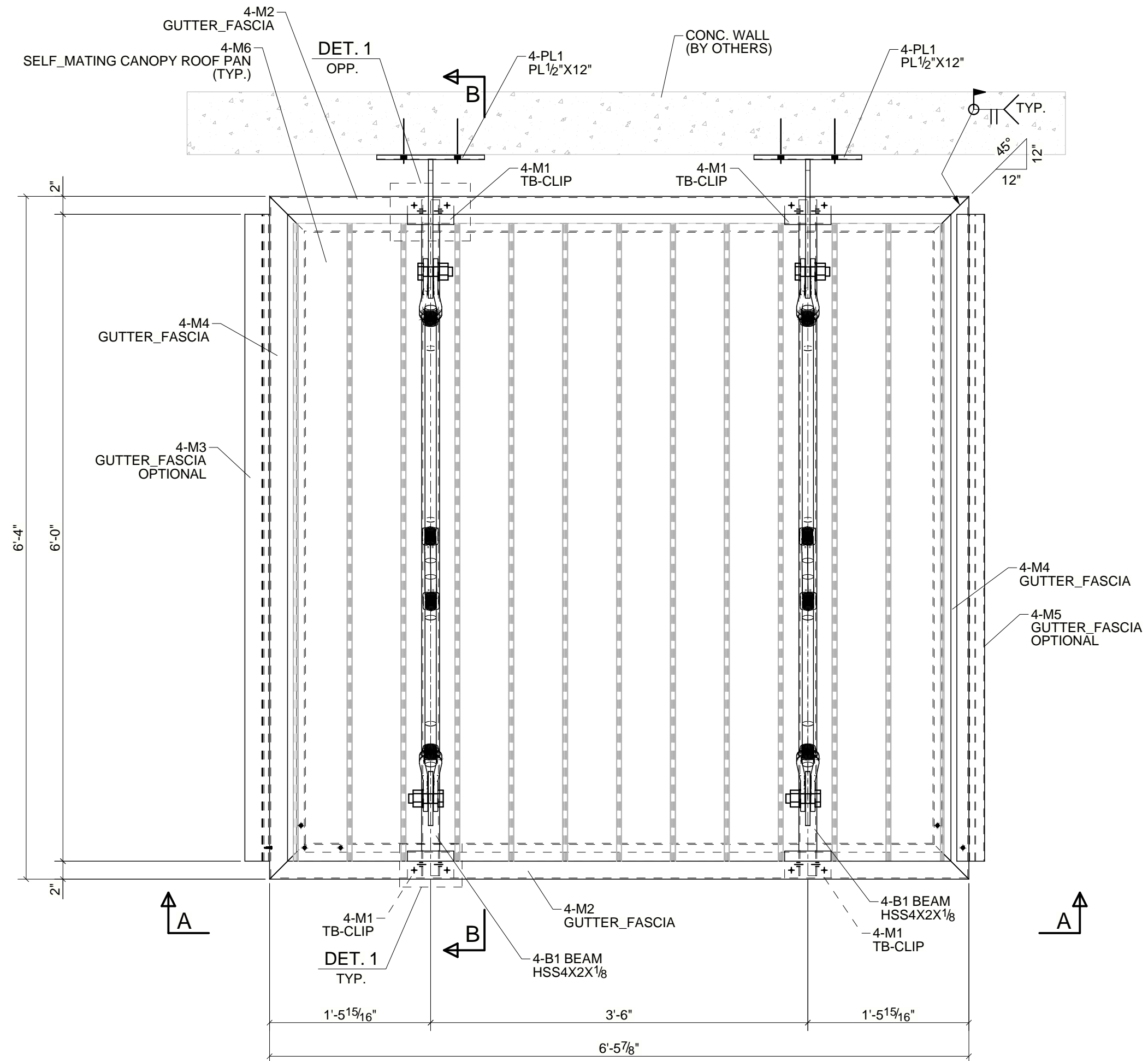
**A-A**



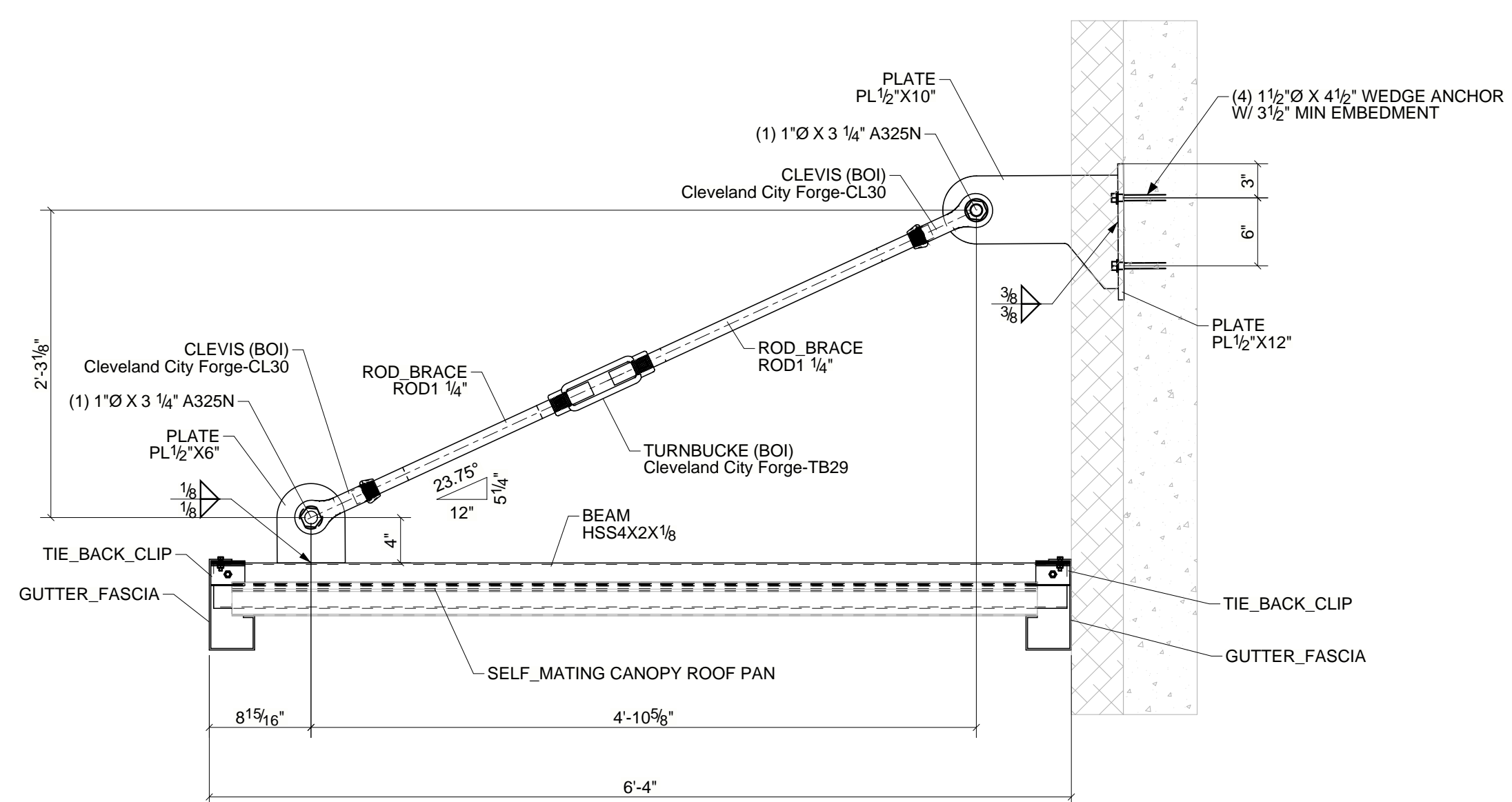
**DETAIL 1**



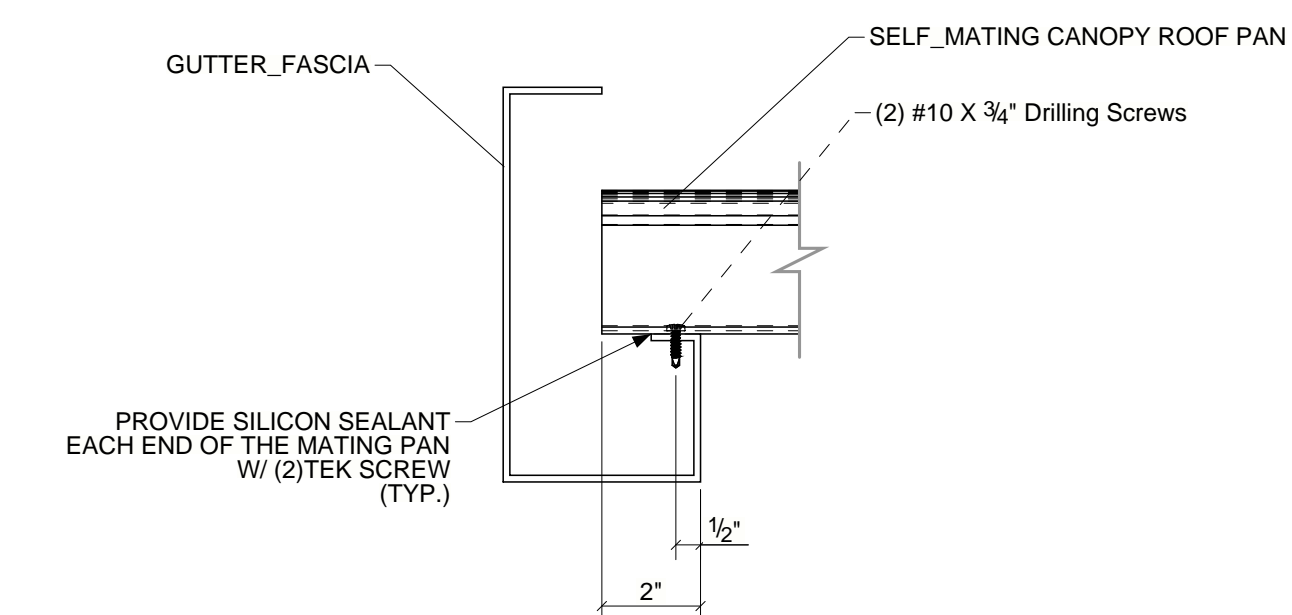
**C-C**



**CANOPY PLAN VIEW**



**B-B**



**GUTTER TO SELF MATING PAN DETAIL TYP.**