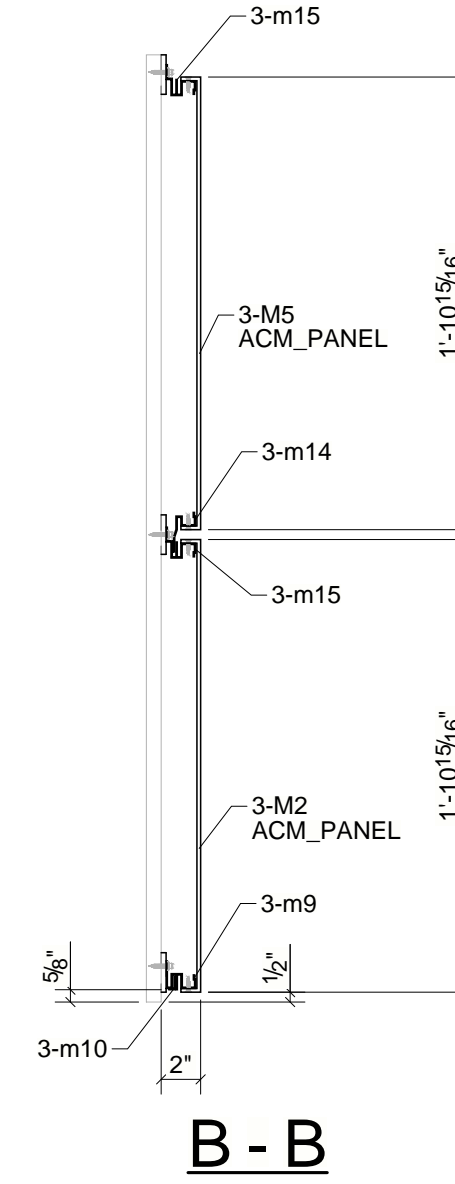
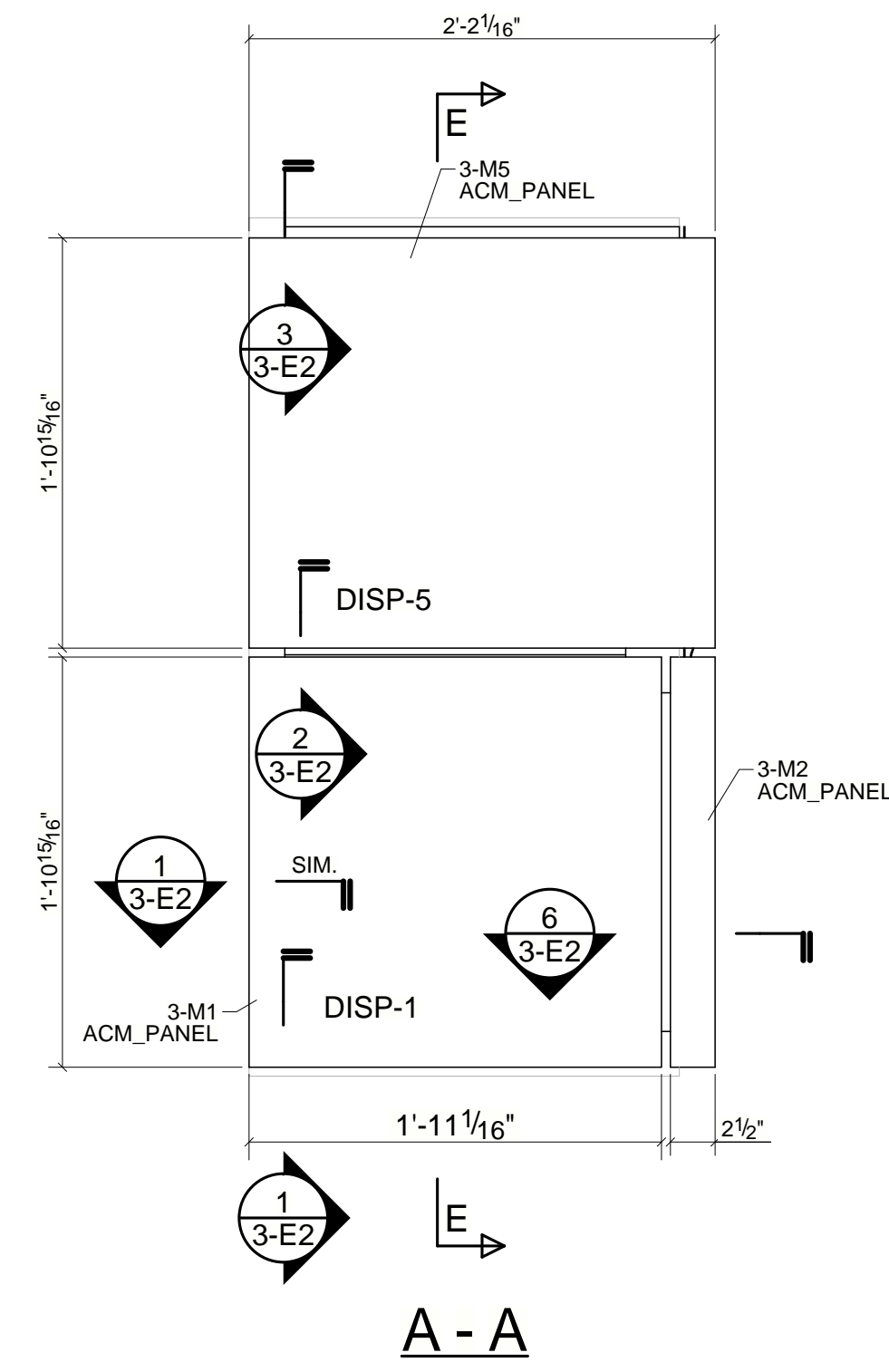
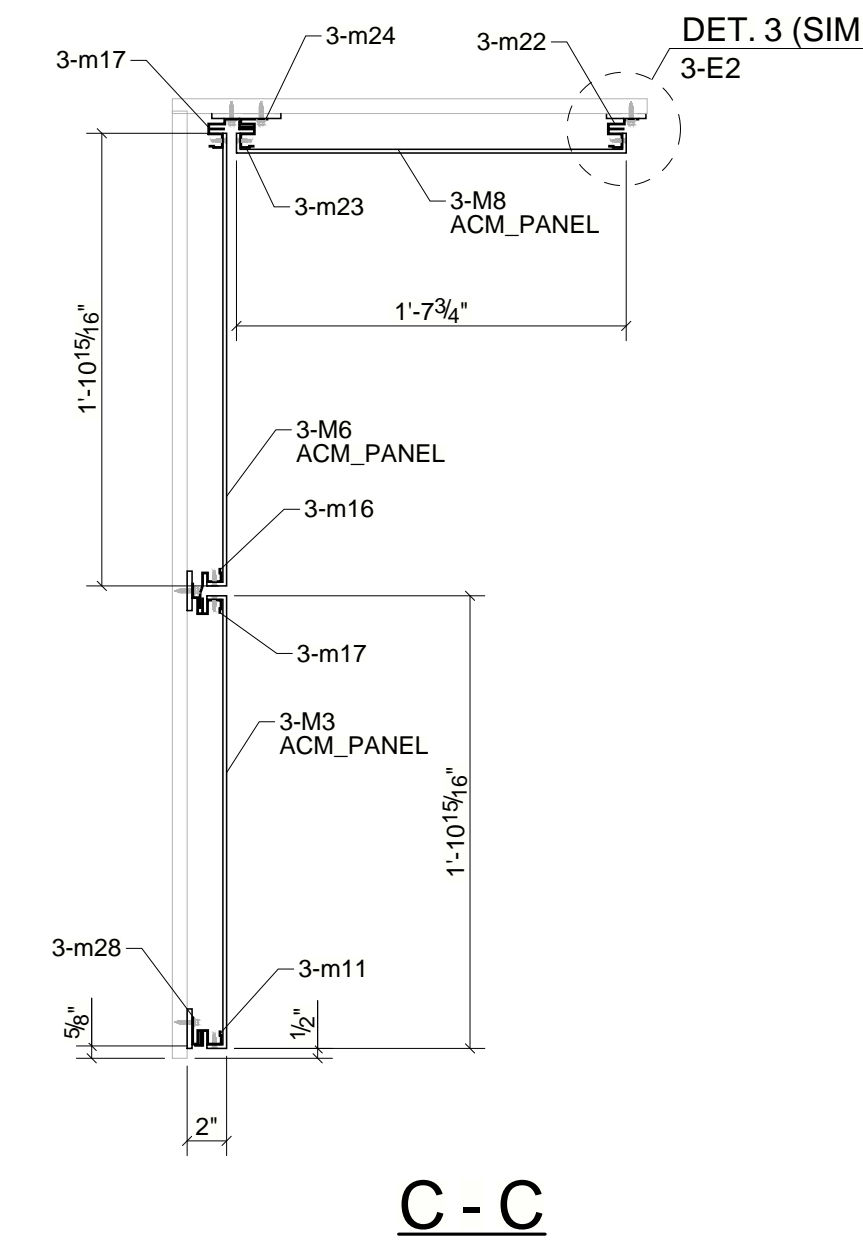


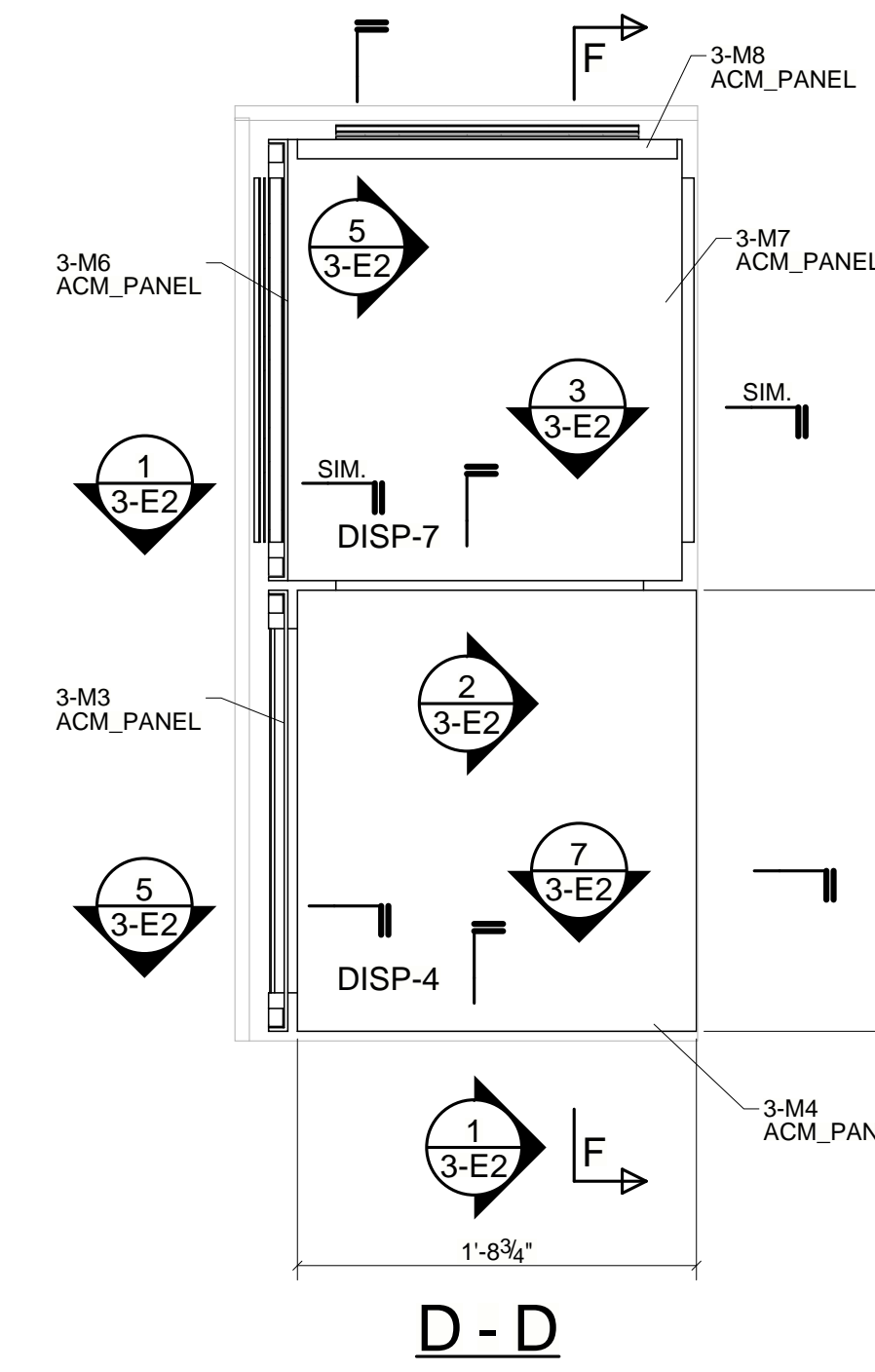
ACM Display Board ISOMETRIC VIEW



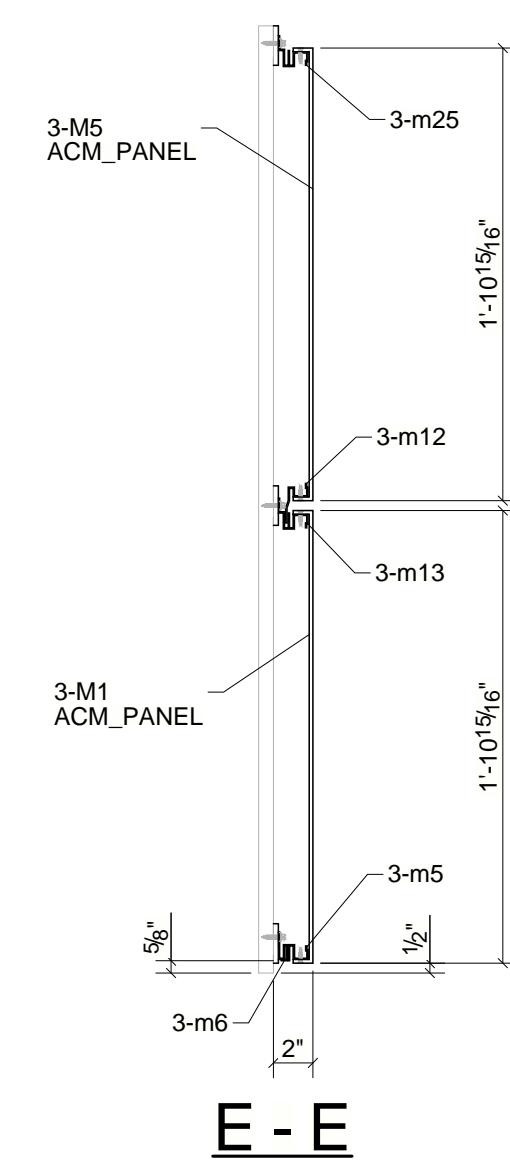
B - B



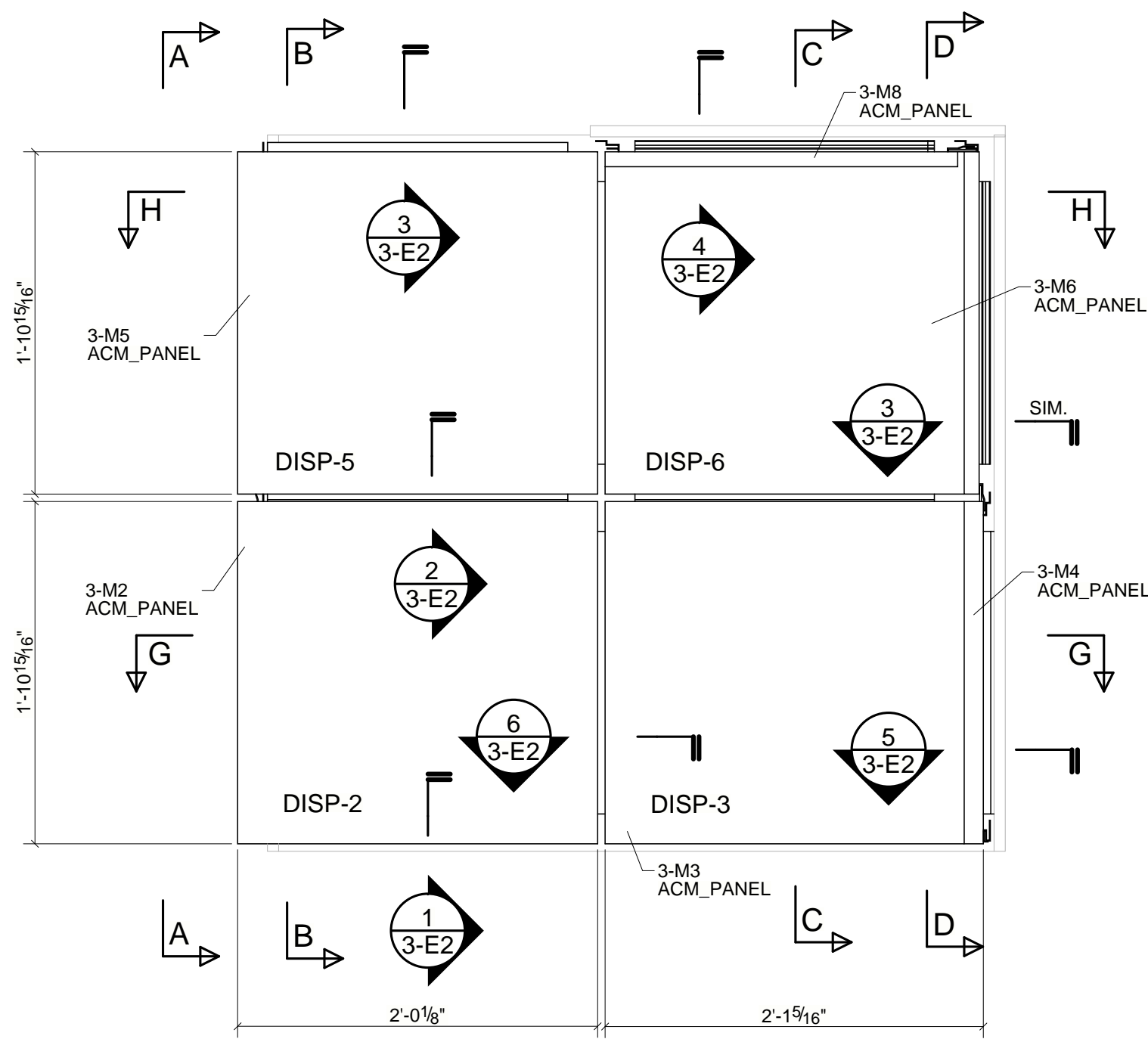
C - C



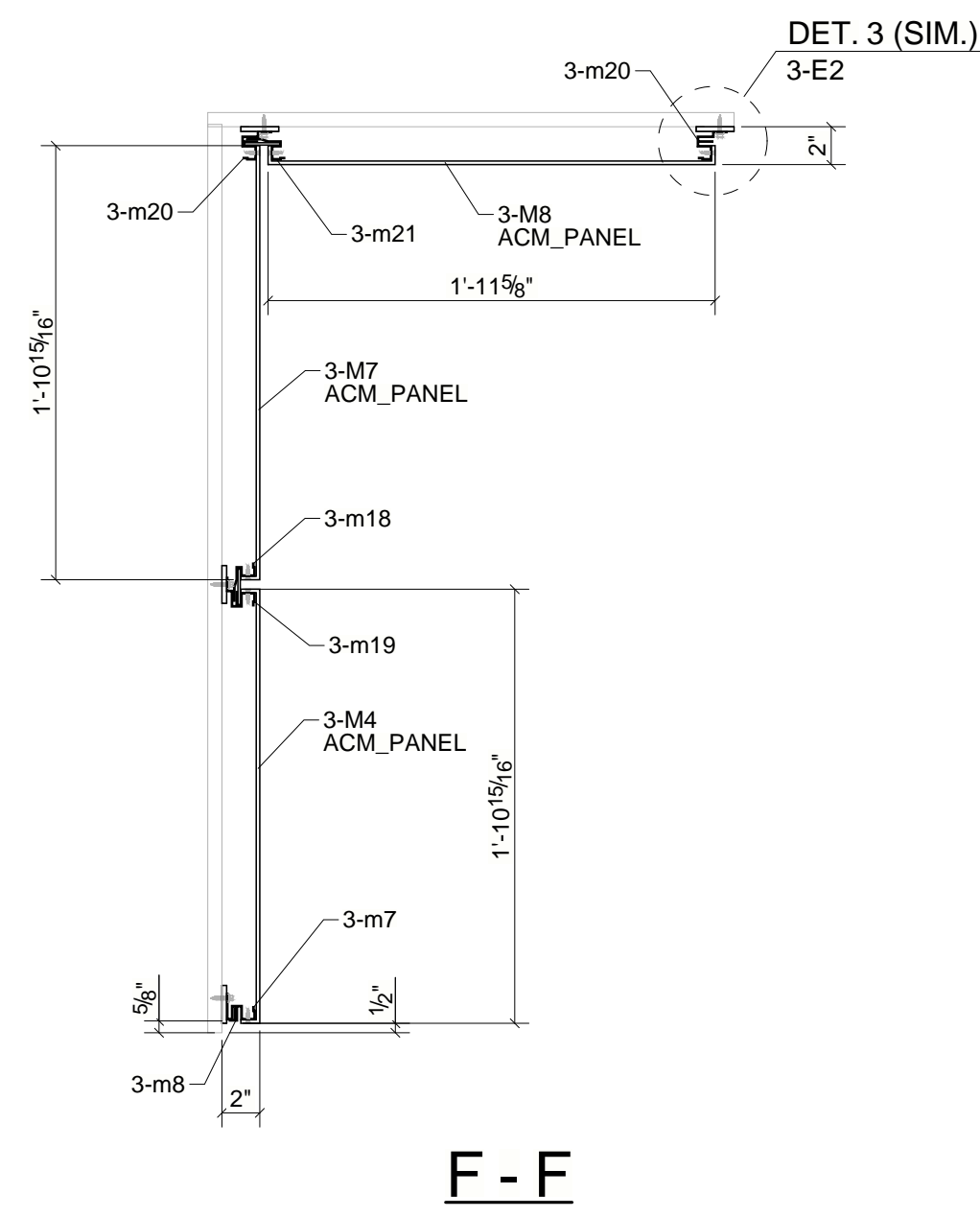
D - D



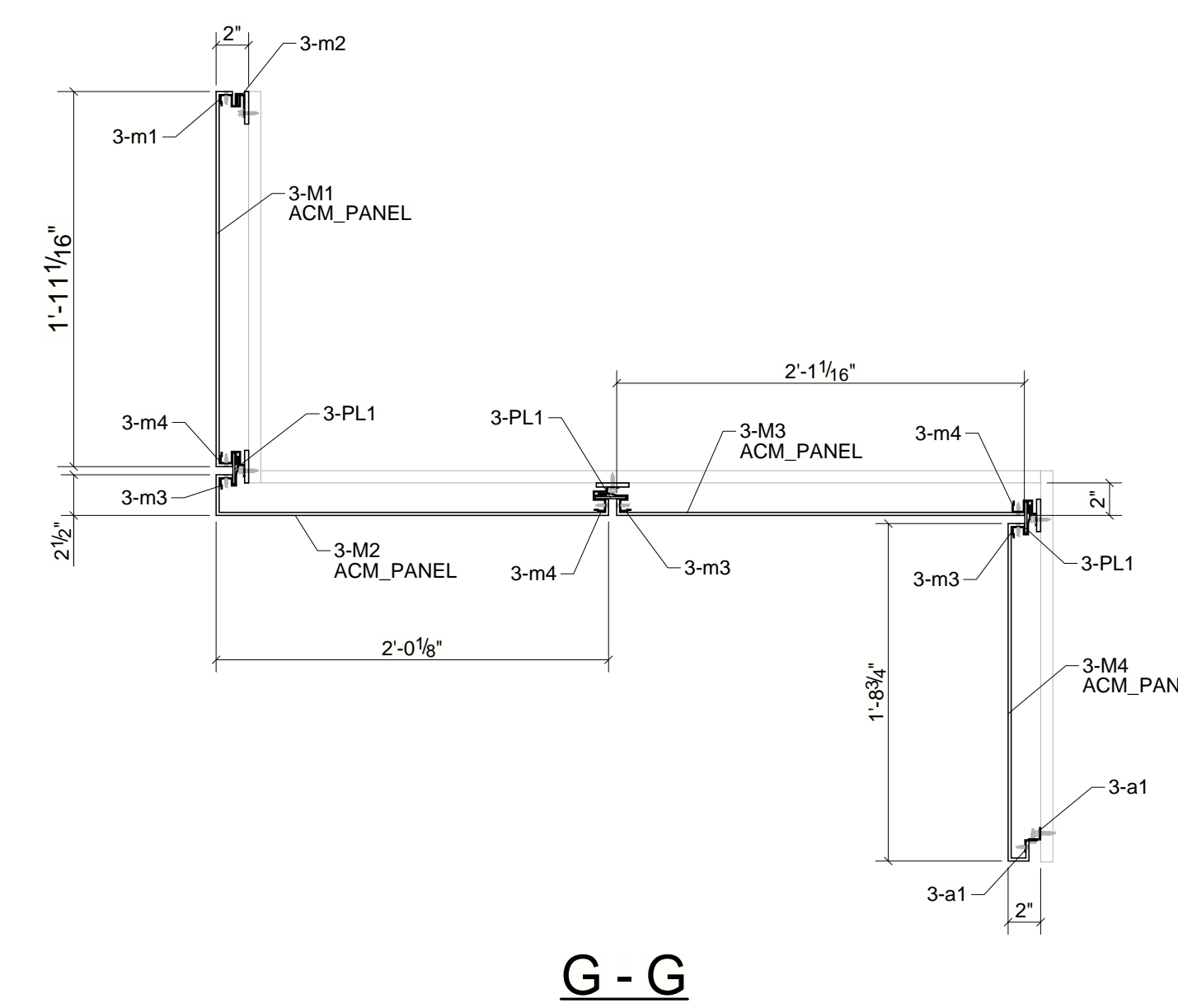
E - E



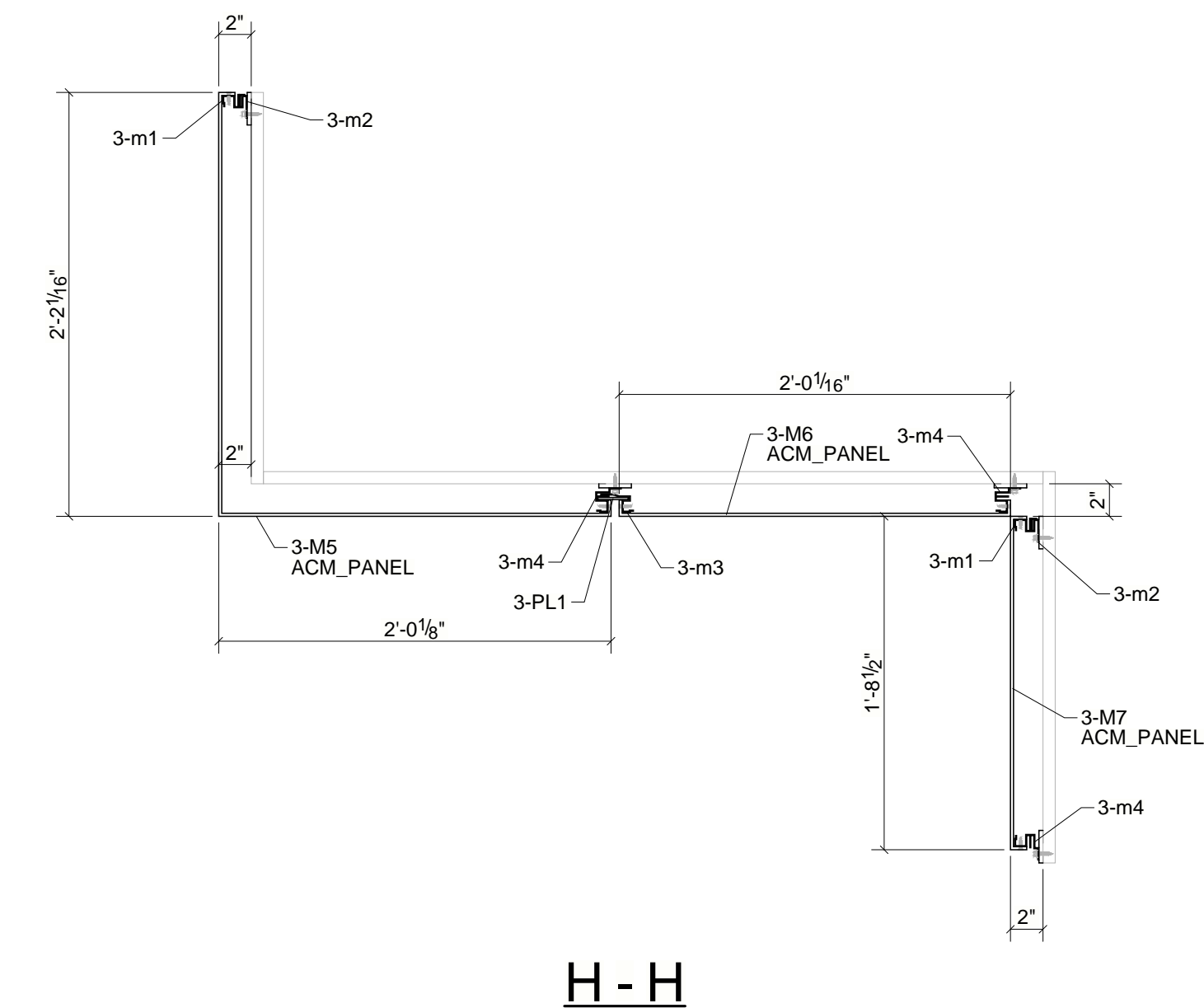
ACM Display Board ELEVATION VIEW



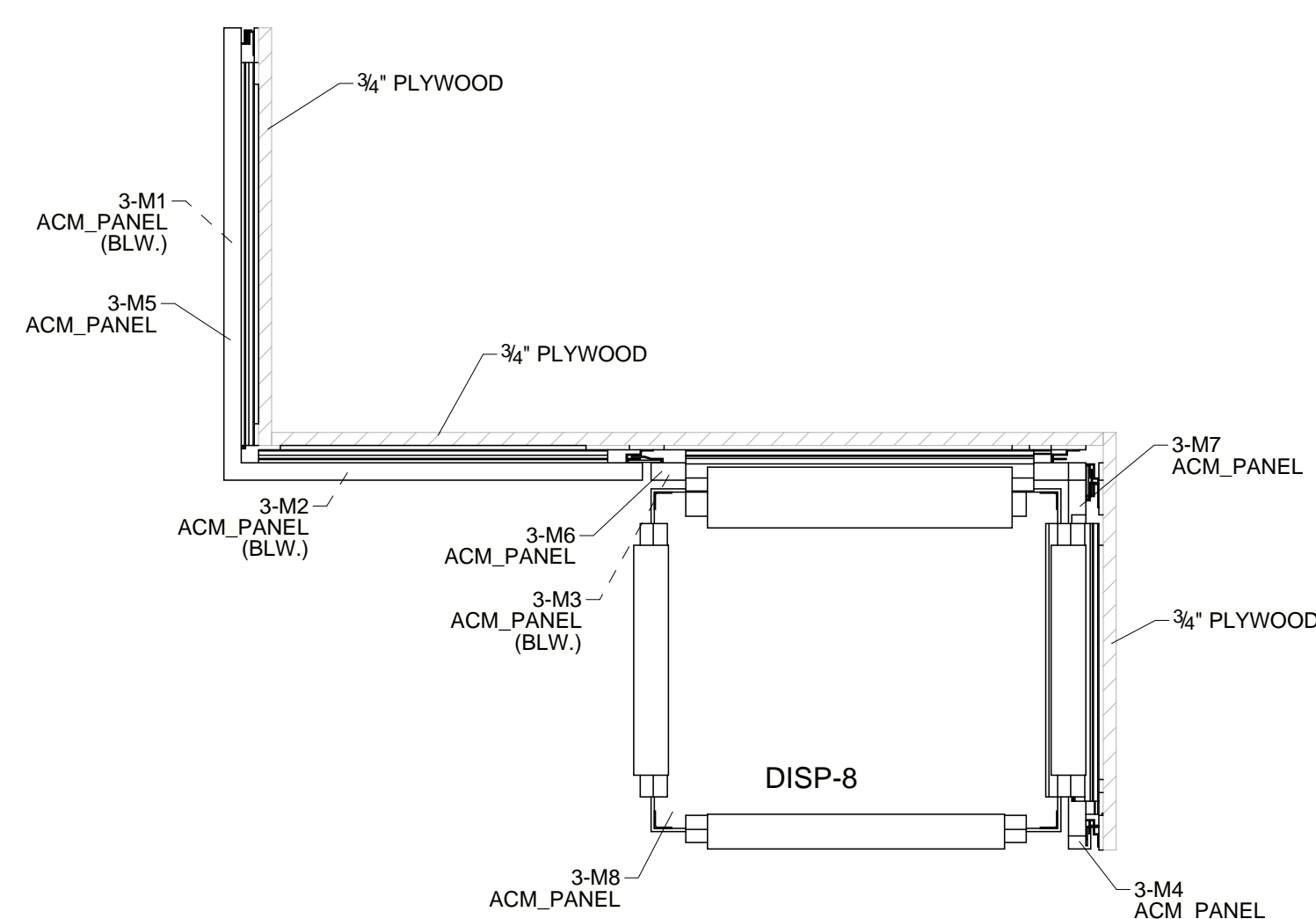
F - F



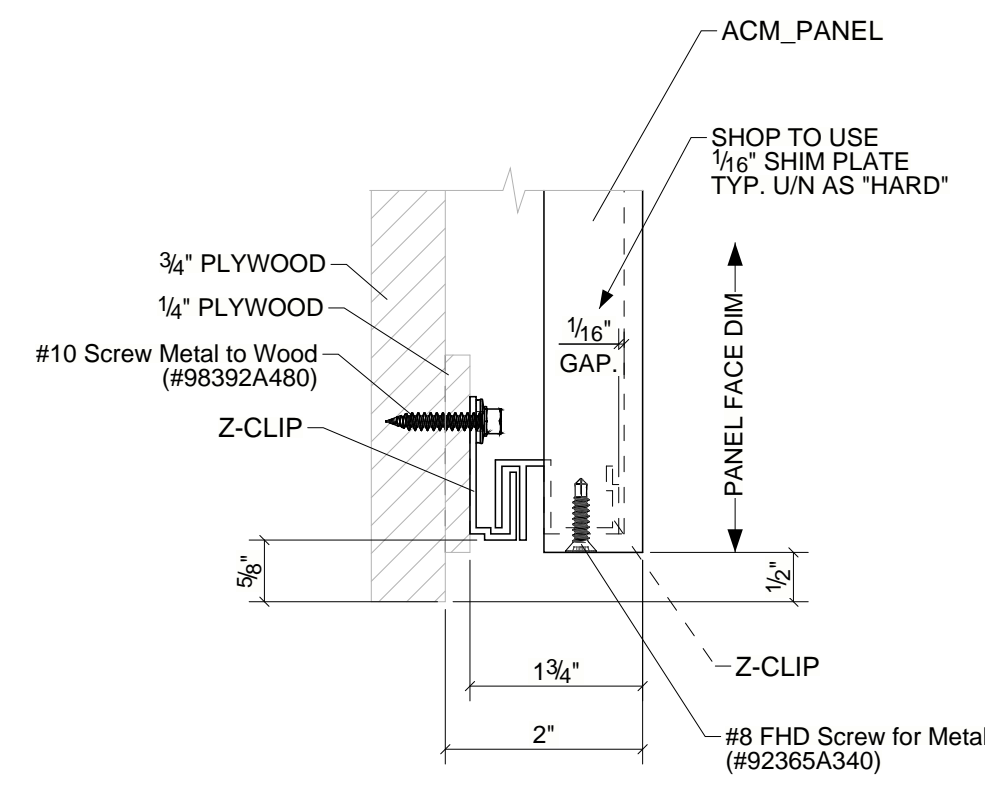
G - G



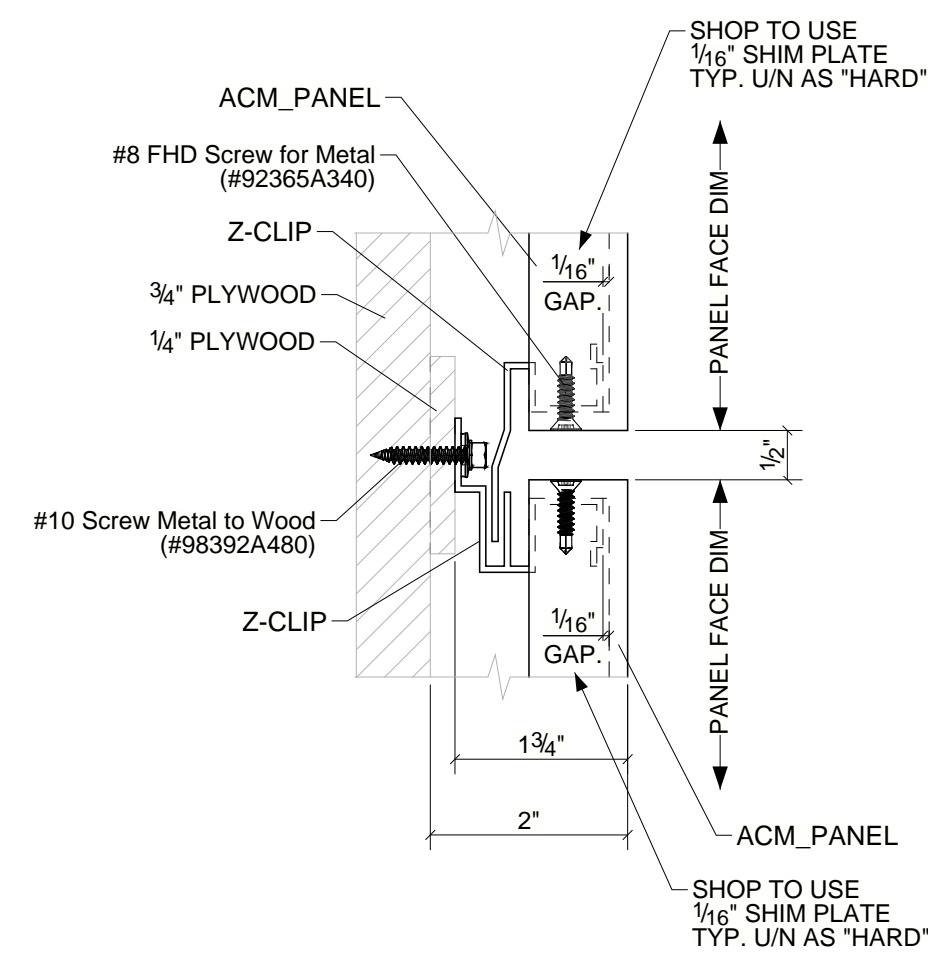
H - H



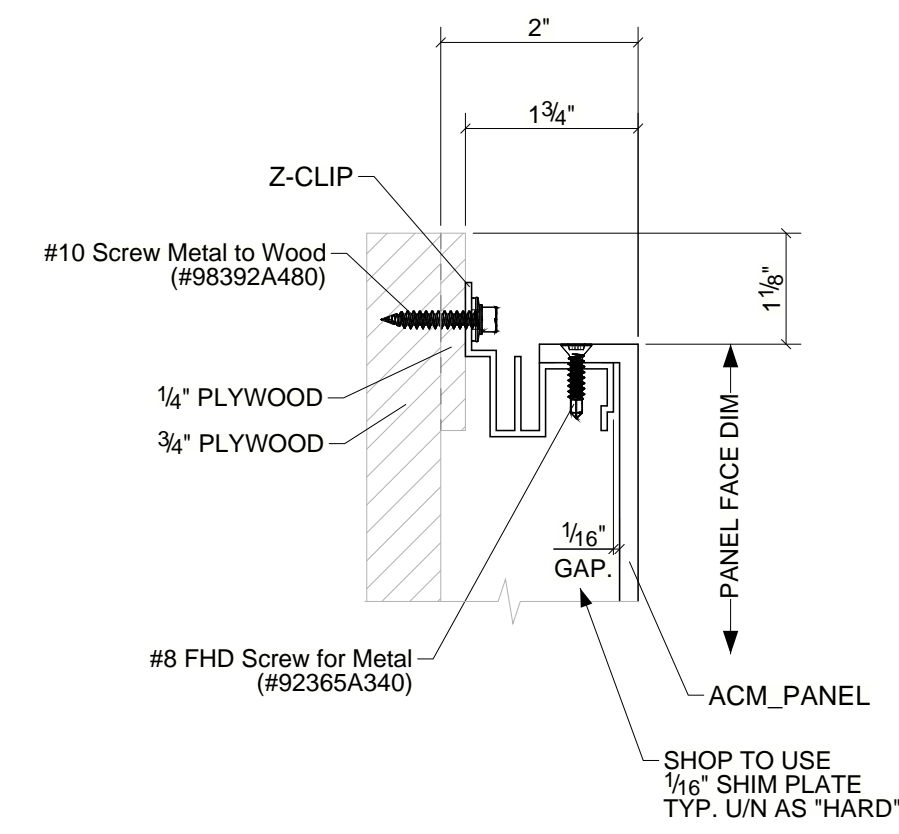
ACM Display Board PLAN VIEW



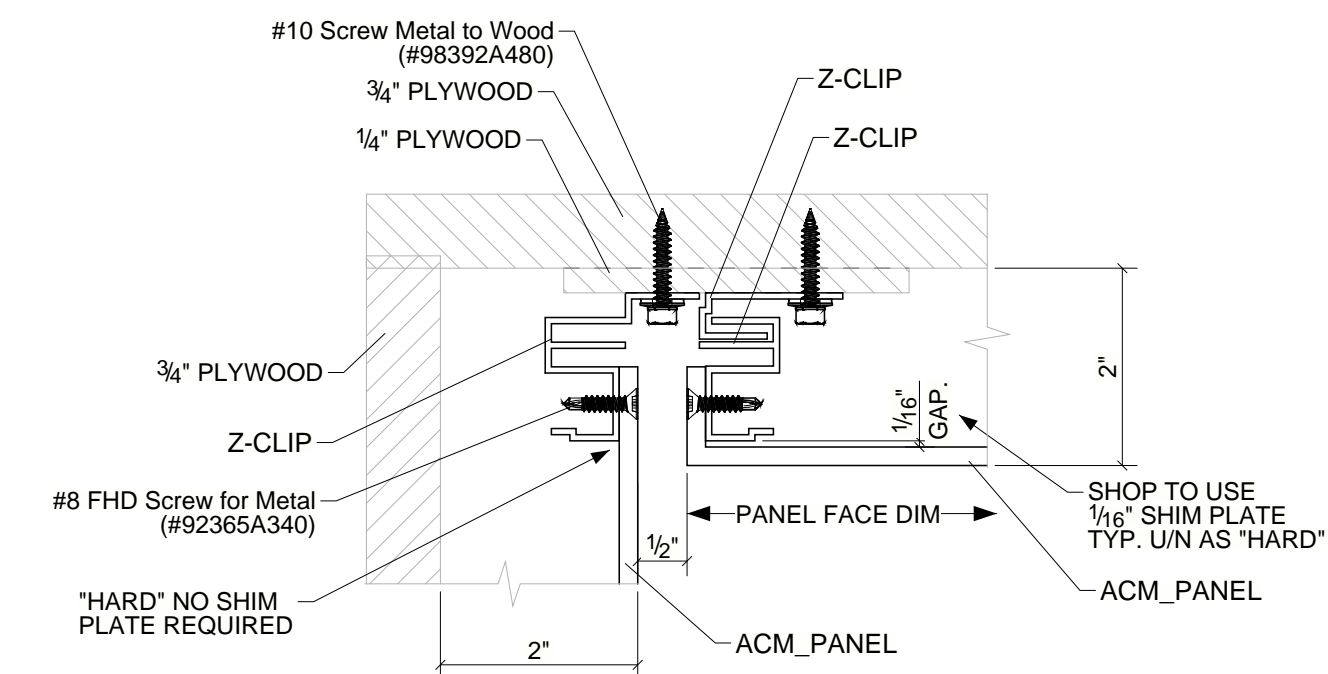
1 PANEL AT FLOOR



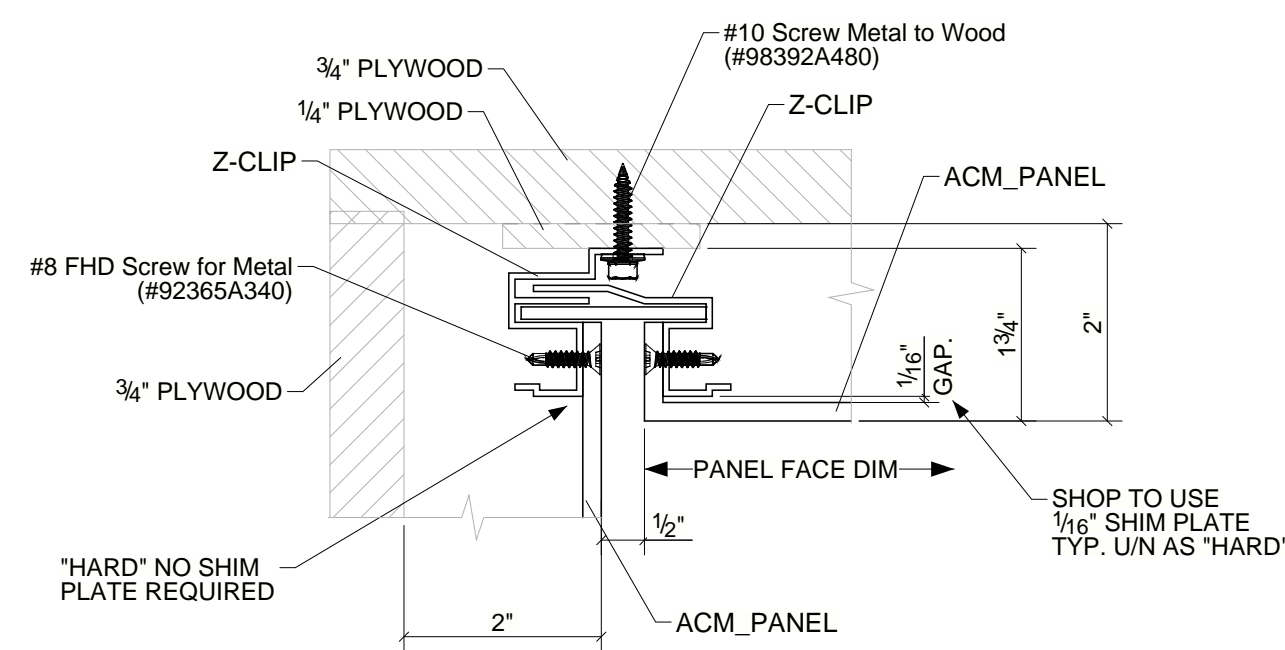
2 TYP. PANEL JOINT HORIZONTAL



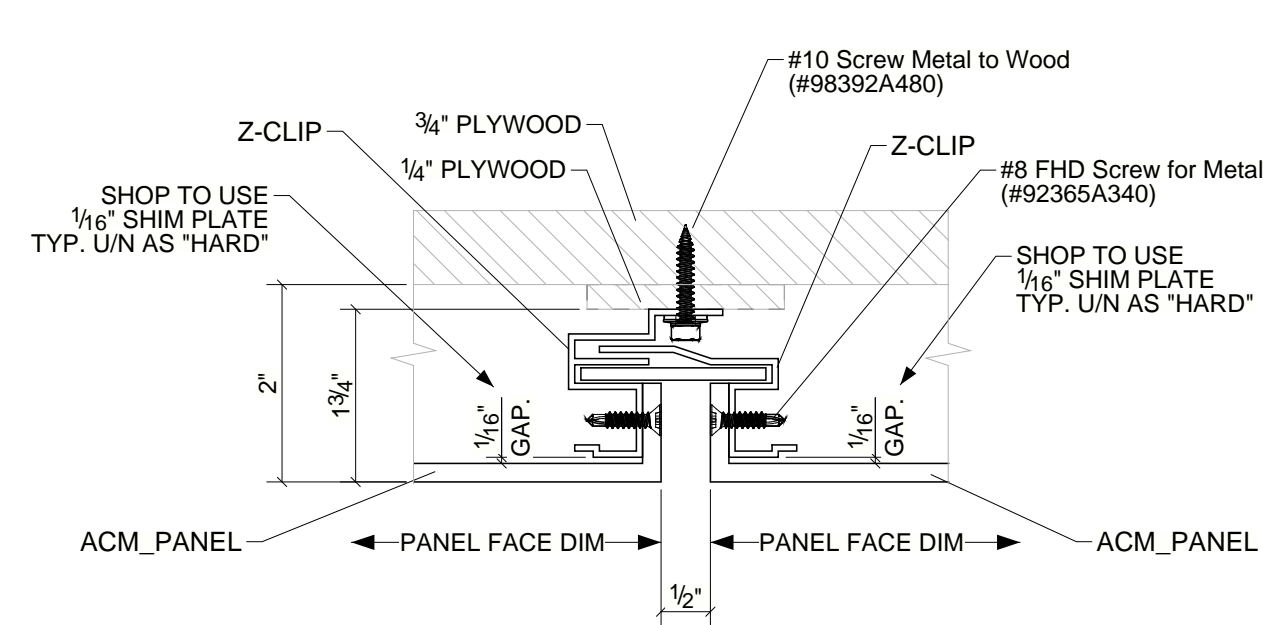
3 PANEL AT CEILING



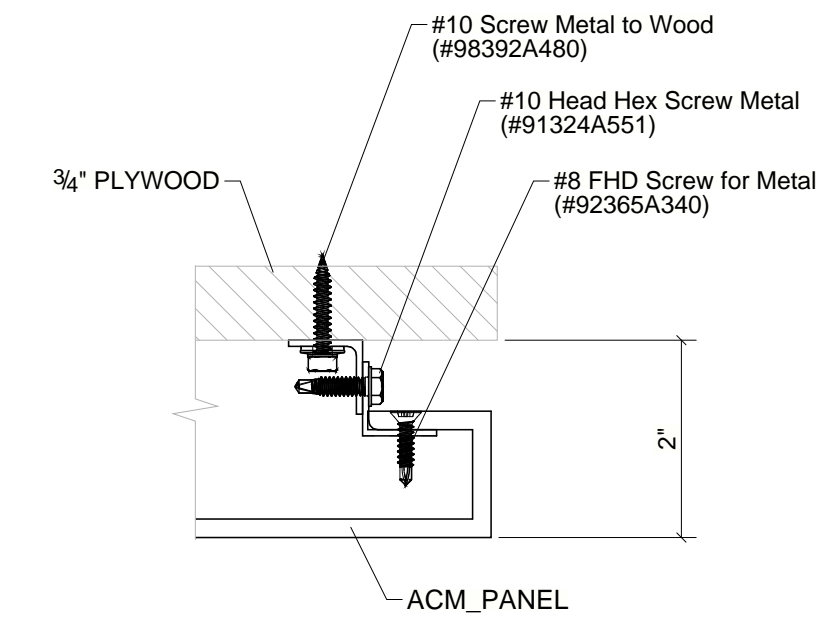
4 INSIDE PANEL CORNER



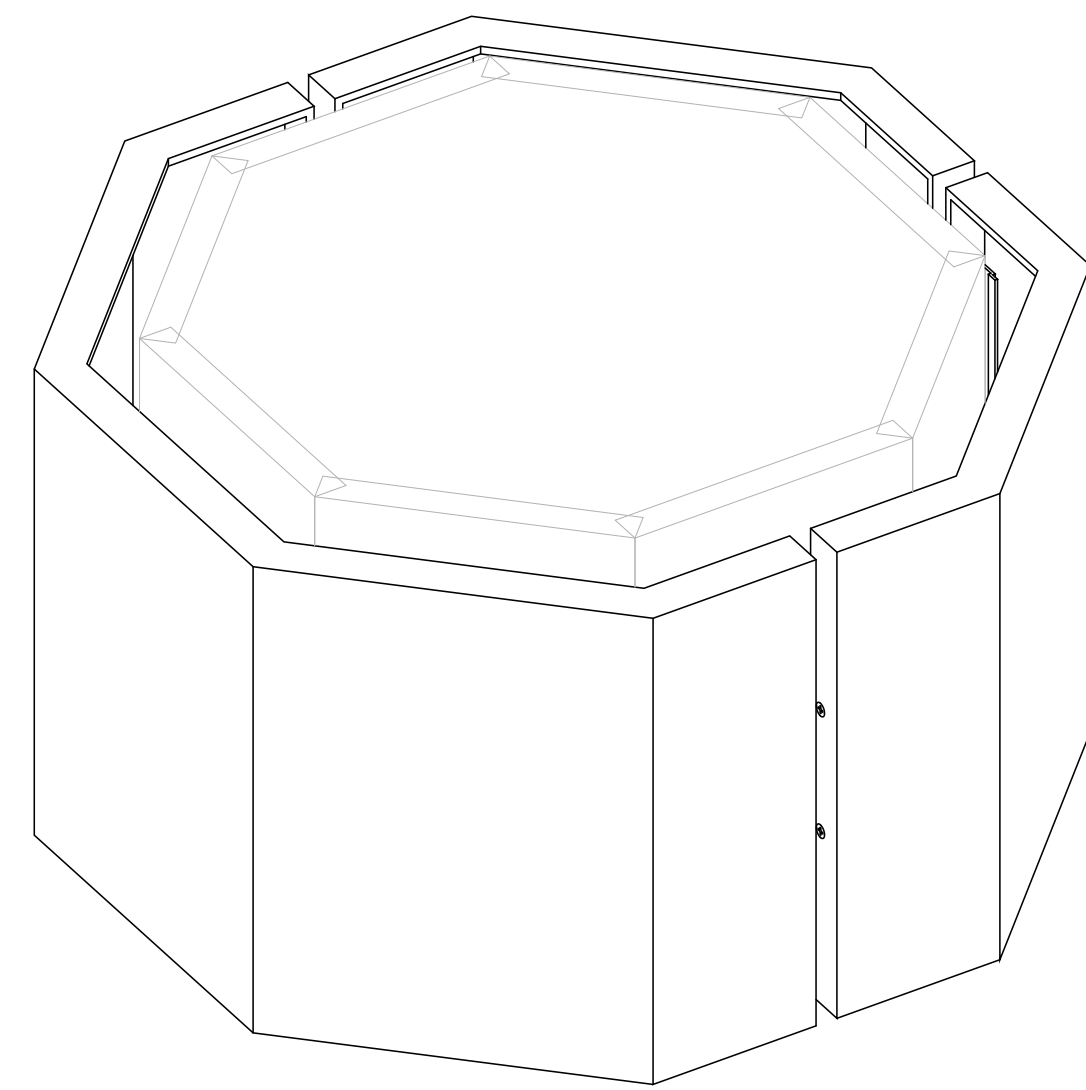
5 INSIDE PANEL CORNER



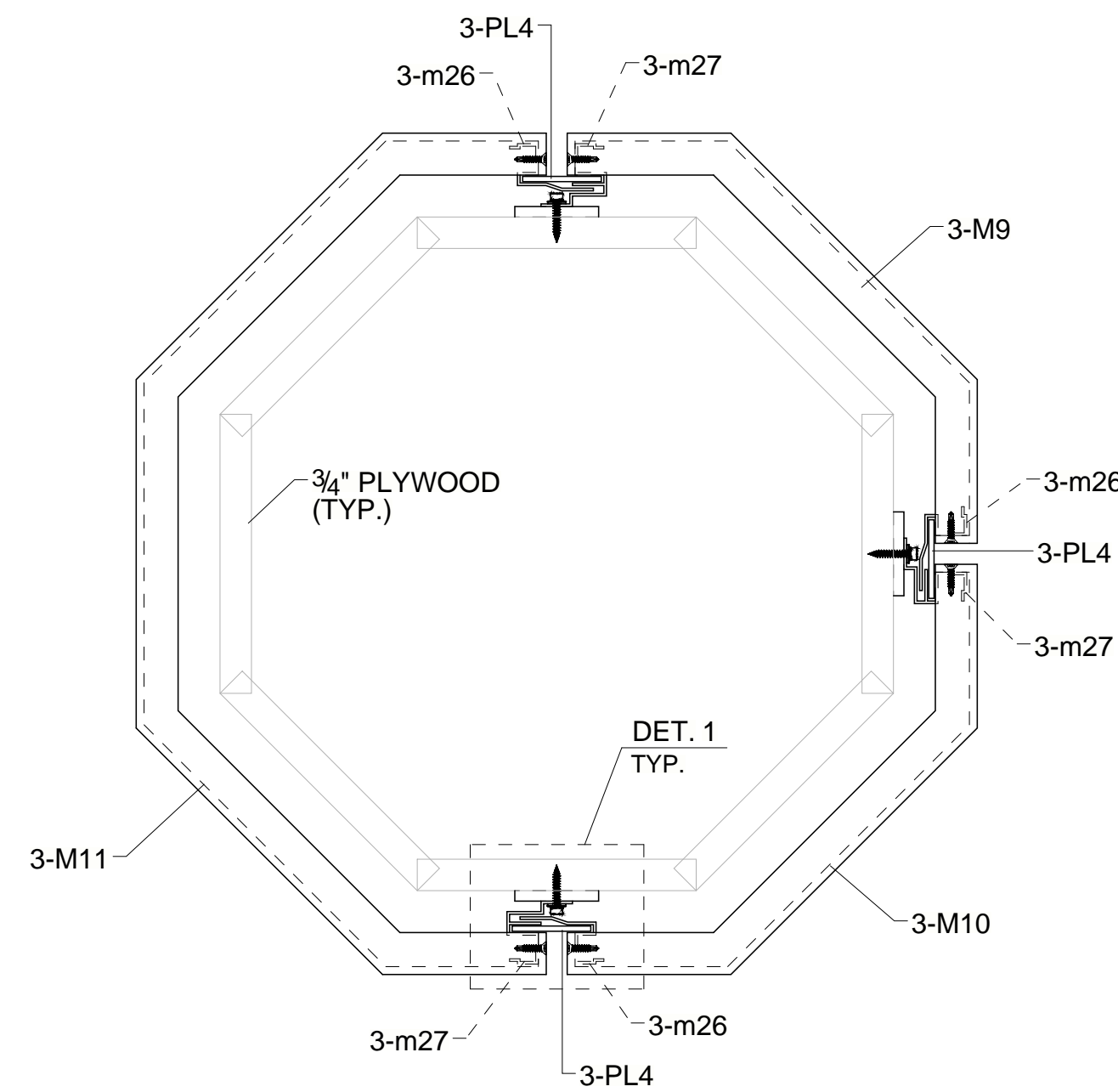
6 TYP. PANEL JOINT VERTICAL



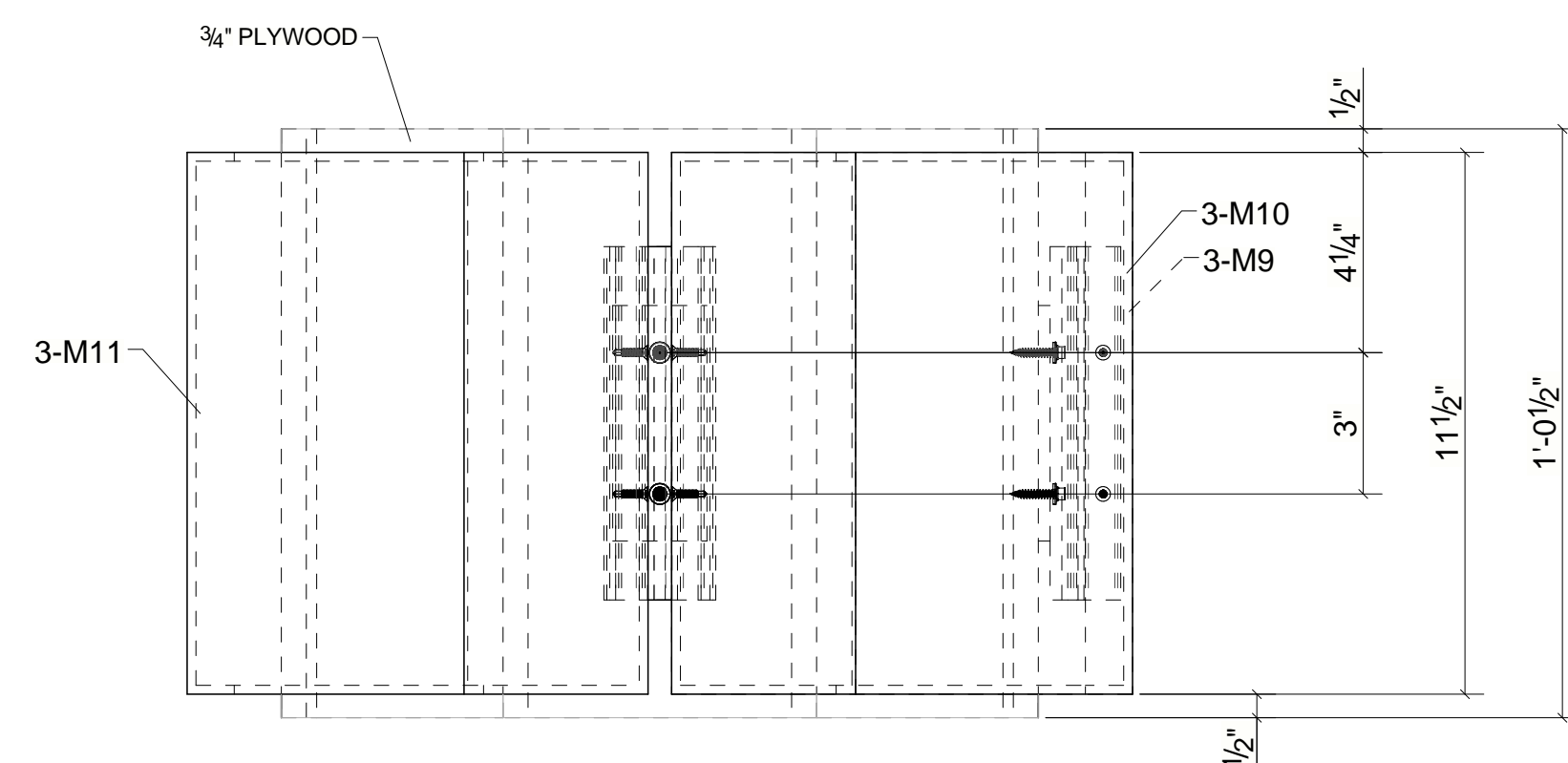
7 PANEL RETURN TO WOOD



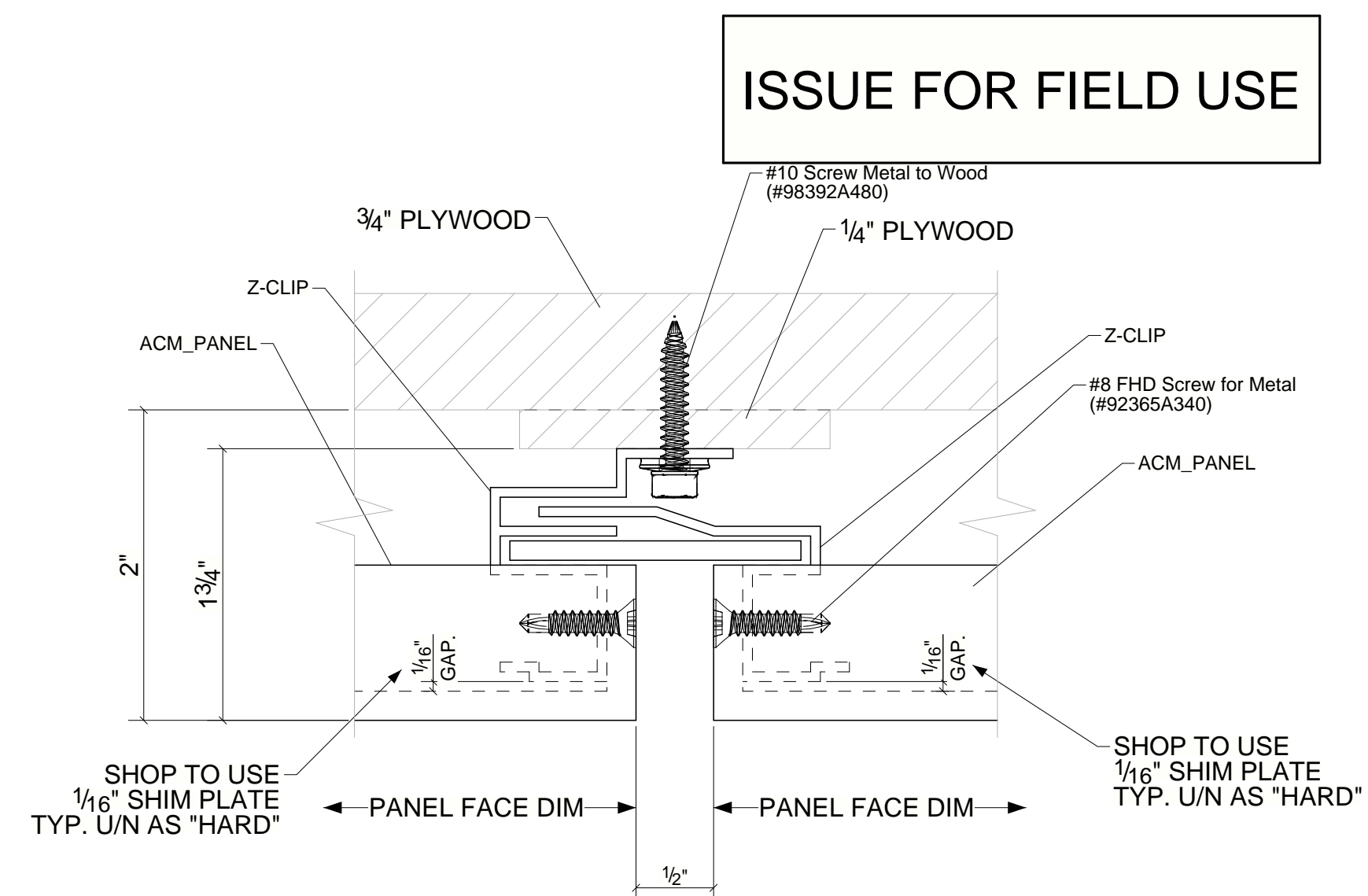
ACM COLUMN COVER ISOMETRIC VIEW



ACM COLUMN COVER PLAN VIEW



ACM COLUMN COVER ELEVATION VIEW



DETAIL 1
TYP. DETAIL CONNECTION PANEL TO WOOD